

ESS Commercial Series

1.5" Carbon Filters

Atlantic Filter's ESS 1.5" Hi-Flow Commercial Series Systems are suitable for commercial applications with flow rates up to 49 gallons per min. (per tank) and with "optional" tank configurations for applications requiring higher flow rates or 24/7 uninterrupted filtered water.



Features

- Utilizes Atlantic Filter's ESS Smart-Valve Technology
- Fully Automatic Lead-Free "Hi-Flow" Control
- WQA & NSF/ANSI Certified Filter Media
- Corrosion Resistant Solid Fiberglass Construction
- Atlantic Filter's Premium Parts & Labor Warranty

Applications

- Hospitality/ Lodging
- Public Drinking Water
- Educational Facilities
- Car Washes
- Commercial Laundries
- Boilers
- Healthcare Facilities
- Hospitals
- Country Clubs
- Pretreatment— For softeners & RO systems
- Many other applications

Benefits

- Reduces chlorine/chloramines & DBP's
- Improves taste & clarity of water for drinking/bottling
- Reduces turbidity & particulate matter
- Reduces wear & tear on all water using appliances & processing equipment
- Greatly improves overall water quality for a multitude of applications

ATLANTIC T&O CARBON FILTERS:

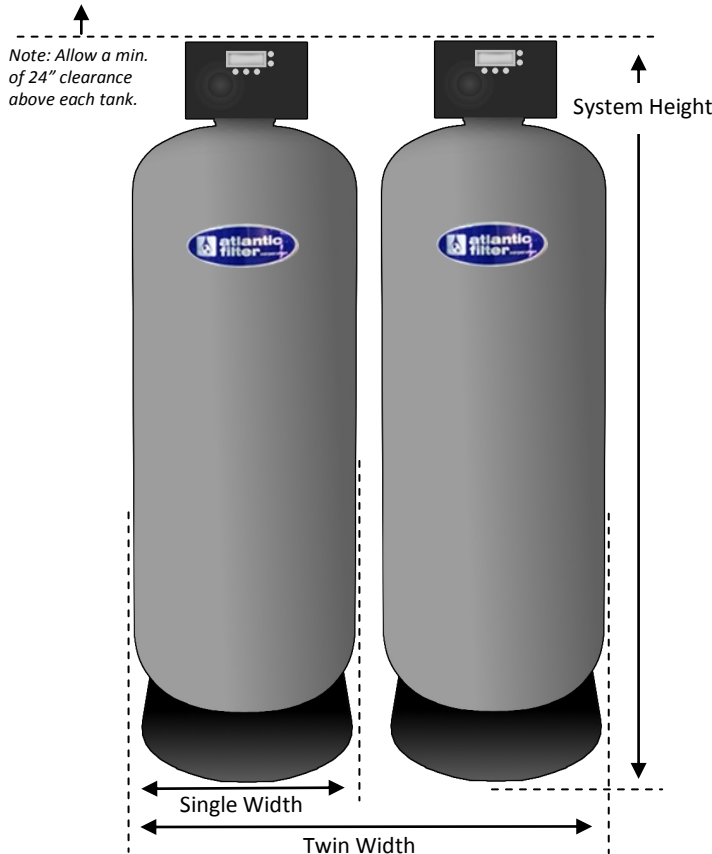
Atlantic T&O Carbon Filters use a “acid-washed” coal based or coconut shell material which produces long life and high adsorptive capacities. T&O Carbon Filters may be used **for the removal of chlorine, tastes, odors, and other organic matter**. These units are commonly run at the continuous flow rate of 5-10GPM/ft². For dechlorination purposes only, a flow rate of 10 GPM/ft² is common. **SPECIFY T&O WHEN ORDERING**

ATLANTIC CR CARBON FILTERS:

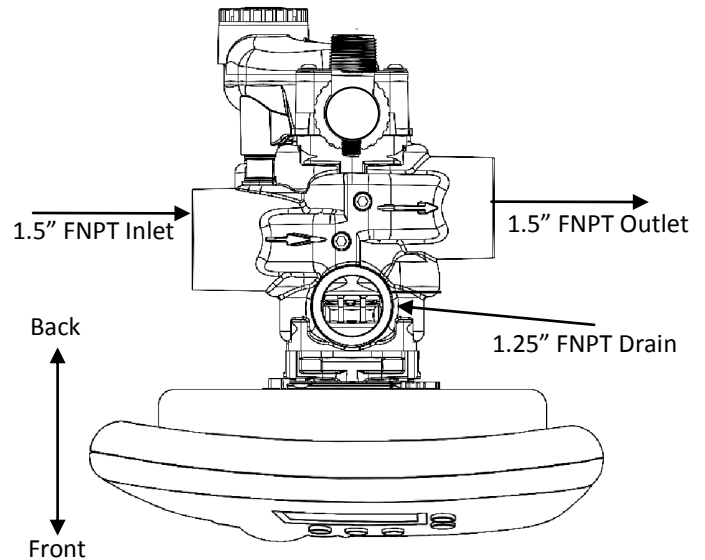
Atlantic CR Carbon Filters use a lignite based material which produces long life and high adsorptive capacities. CR Carbon Filters may be used **for the removal of chlorine, tastes, odors, color and other organic matter**. These units are commonly run at a continuous flow rate of 5-10GPM/ft². For color removal purposes only, a flow rate of 3-5GPM/ft² is common. **SPECIFY CR WHEN ORDERING.**

ATLANTIC CATALYTIC CARBON FILTERS:

Atlantic Catalytic Carbon Filters use a bituminous coal or coconut shell material that concentrates reactants via adsorption and promotes their reaction on the surface of the media. These filters are specifically used **for chloramine and hydrogen sulfide removal**. These units are commonly run at a continuous flow rate of 5-10GPM/ft². However, lower flow rates will provide greater removal capabilities depending on the source water quality. **SPECIFY CATALYTIC WHEN ORDERING**



Top View



Note: All width dimensions include 6" spacing each side of each unit to provide proper clearances for servicing equipment.

Specifications

| MODEL | MINERAL TANK | | | FLOW RATE | | |
|--------------|--------------|------------------------|----------|-----------------------|------------------------|---------|
| | TANK SIZE | Carbon Ft ³ | GRAVEL | 5 GPM/FT ² | 10 GPM/FT ² | BKW GPM |
| ESSCV150TC14 | 14"x65" | 3 | 60 lbs. | 5.35 GPM | 10.70 GPM | 10 |
| ESSCV150TC16 | 16"x65" | 4 | 80 lbs. | 7.00 GPM | 14.00 GPM | 13 |
| ESSCV150TC18 | 18"x65" | 5 | 100 lbs. | 8.85 GPM | 17.70 GPM | 15 |
| ESSCV150TC21 | 21"x62" | 7 | 150 lbs. | 12.00 GPM | 24.00 GPM | 20 |
| ESSCV150TC24 | 24"x72" | 10 | 250 lbs. | 15.70 GPM | 31.40 GPM | 25 |
| ESSCV150TC30 | 30"x72" | 15 | 350 lbs. | 24.50 GPM | 49.00 GPM | 45 |

Dimensions

| MODEL # | SYSTEM HEIGHT | SINGLE WIDTH | TWIN WIDTH |
|--------------|---------------|--------------|------------|
| ESSCV150TC14 | 72 (in.) | 26 (in.) | 46 (in.) |
| ESSCV150TC16 | 72 (in.) | 28 (in.) | 50 (in.) |
| ESSCV150TC18 | 73 (in.) | 30 (in.) | 54 (in.) |
| ESSCV150TC21 | 74 (in.) | 33 (in.) | 60 (in.) |
| ESSCV150TC24 | 82 (in.) | 36 (in.) | 66 (in.) |
| ESSCV150TC30 | 86 (in.) | 42 (in.) | 78 (in.) |