



# AFCV Commercial Series 2" (H) Carbon Filters

Atlantic Filter's AFCV 2" (H) Hi-Flow Commercial Series Systems are suitable for commercial applications with flow rates up to 126 gallons per min. (per tank) and with "optional" tank configurations for applications requiring higher flow rates or 24/7 uninterrupted filtered water.



## Features

- Utilizes Atlantic Filter's Smart-Valve Technology
- Fully Automatic Lead-Free "Hi-Flow" Control
- WQA & NSF/ANSI Certified Filter Media
- Corrosion Resistant Solid Fiberglass Construction
- Atlantic Filter's Factory Parts & Labor Warranty

## Applications

- Hospitality/ Lodging
- Public Drinking Water
- Educational Facilities
- Car Washes
- Commercial Laundries
- Boilers
- Healthcare Facilities
- Hospitals
- Country Clubs
- Pretreatment— For softeners & RO systems
- Many other applications

## Benefits

- Reduces chlorine/chloramines & DBP's
- Improves taste & clarity of water for drinking/bottling
- Reduces turbidity & particulate matter
- Reduces wear & tear on all water using appliances & processing equipment
- Greatly improves overall water quality for a multitude of applications

### ATLANTIC T&O CARBON FILTERS:

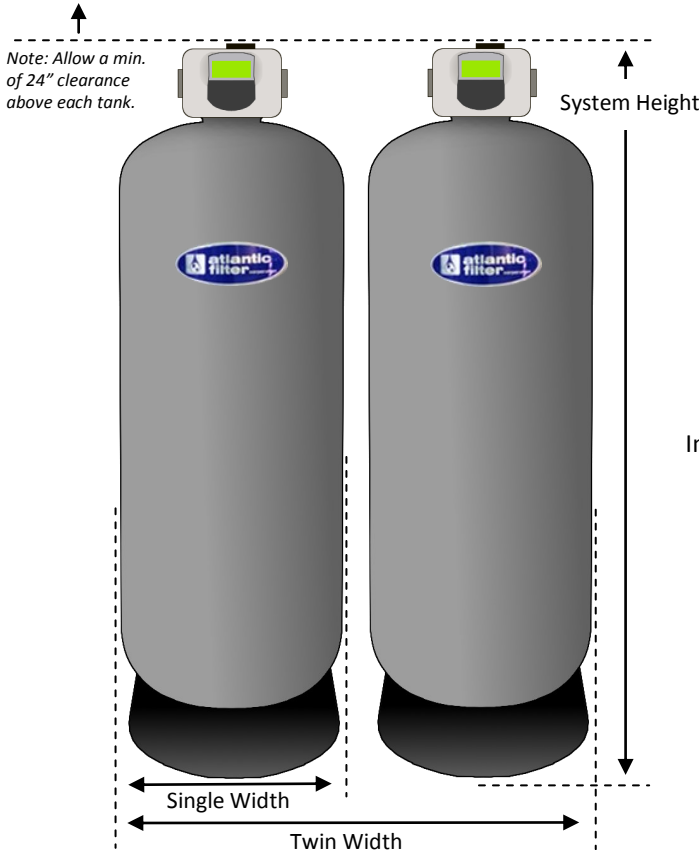
Atlantic T&O Carbon Filters use a “acid-washed” coal based or coconut shell material which produces long life and high adsorptive capacities. T&O Carbon Filters may be used **for the removal of chlorine, tastes, odors, and other organic matter**. These units are commonly run at the continuous flow rate of 5-10GPM/ft<sup>2</sup>. For dechlorination purposes only, a flow rate of 10 GPM/ft<sup>2</sup> is common. **SPECIFY T&O WHEN ORDERING**

### ATLANTIC CR CARBON FILTERS:

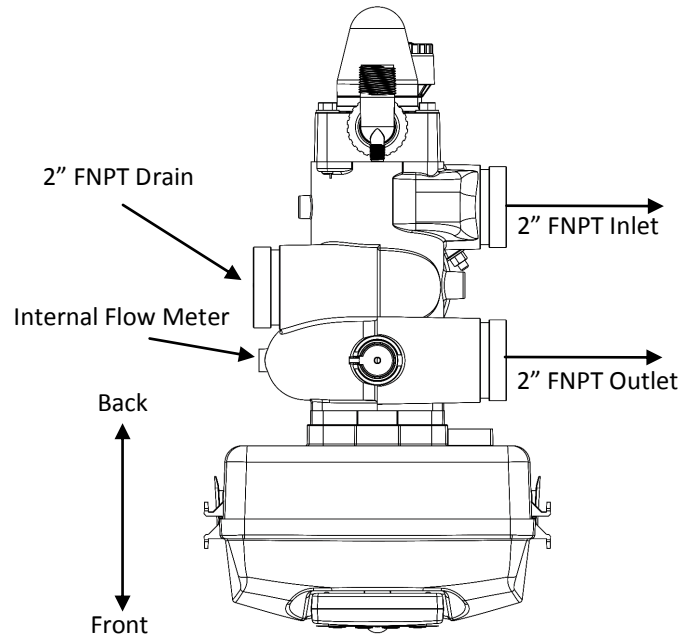
Atlantic CR Carbon Filters use a lignite based material which produces long life and high adsorptive capacities. CR Carbon Filters may be used **for the removal of chlorine, tastes, odors, color and other organic matter**. These units are commonly run at a continuous flow rate of 5-10GPM/ft<sup>2</sup>. For color removal purposes only, a flow rate of 3-5GPM/ft<sup>2</sup> is common. **SPECIFY CR WHEN ORDERING.**

### ATLANTIC CATALYTIC CARBON FILTERS:

Atlantic Catalytic Carbon Filters use a bituminous coal or coconut shell material that concentrates reactants via adsorption and promotes their reaction on the surface of the media. These filters are specifically used for **chloramine and hydrogen sulfide removal**. These units are commonly run at a continuous flow rate of 5-10GPM/ft<sup>2</sup>. However, lower flow rates will provide greater removal capabilities depending on the source water quality. **SPECIFY CATALYTIC WHEN ORDERING**



### Top View



Note: All width dimensions include 6" spacing each side of each unit to provide proper clearances for servicing equipment.

## Specifications

MODEL	MINERAL TANK			FLOW RATE		
	TANK SIZE	Carbon Ft <sup>3</sup>	GRAVEL	5 GPM/FT <sup>2</sup>	10 GPM/FT <sup>2</sup>	BKW GPM
AFCV200HTC21	21"x62"	7	150 lbs.	12.00 GPM	24.00 GPM	20
AFCV200HTC24	24"x72"	10	250 lbs.	15.70 GPM	31.40 GPM	25
AFCV200HTC30	30"x72"	15	350 lbs.	24.50 GPM	49.00 GPM	45
AFCV200HTC36	36"x72"	20	500 lbs.	35.50 GPM	71.00 GPM	65
AFCV200HTC42	42"x72"	30	700 lbs.	48.00 GPM	96.00 GPM	85
AFCV200HTC48	48"x72"	40	900 lbs.	63.00 GPM	126.0 GPM	100

## Dimensions

MODEL #	SYSTEM HEIGHT	SINGLE WIDTH	TWIN WIDTH
AFCV200HTC21	78 (in.)	33 (in.)	50 (in.)
AFCV200HTC24	86 (in.)	36 (in.)	66 (in.)
AFCV200HTC30	90 (in.)	42 (in.)	78 (in.)
AFCV200HTC36	92 (in.)	48 (in.)	90 (in.)
AFCV200HTC42	101 (in.)	54 (in.)	102 (in.)
AFCV200HTC48	104 (in.)	60 (in.)	114 (in.)

ANOTHER QUALITY PRODUCT OF ATLANTIC FILTER CORP. - 3112 45<sup>TH</sup> ST WEST PALM BEACH, FL. 33407 - (561) 683-0100

[www.atlanticfilter.com](http://www.atlanticfilter.com)