

# AFCV Commercial Series 2" Water Softeners



Atlantic Filter's AFCV 2" Hi-Flow Commercial Series Systems are available in both demand initiated and time clock configurations and are suitable for commercial applications up to 1,950,000 grains of hardness removal with flow rates up to 125 gallons per min. (per tank) with "optional" tank configurations for applications requiring higher flow rates or 24/7 uninterrupted filtered water.

## Features

- Utilizes Atlantic Filter's Smart-Valve Technology
- Fully Automatic Lead-Free "Hi-Flow" Control
- WQA & NSF/ANSI Certified Softening Media
- Corrosion Resistant Solid Fiberglass Construction
- Atlantic Filter's Factory Parts & Labor Warranty

## Applications

- Hospitality/ Lodging
- Public Drinking Water
- Educational Facilities
- Car Washes
- Commercial Laundries
- Boilers
- Healthcare Facilities
- Hospitals
- Country Clubs
- Pretreatment— For softeners & RO systems
- Many other applications

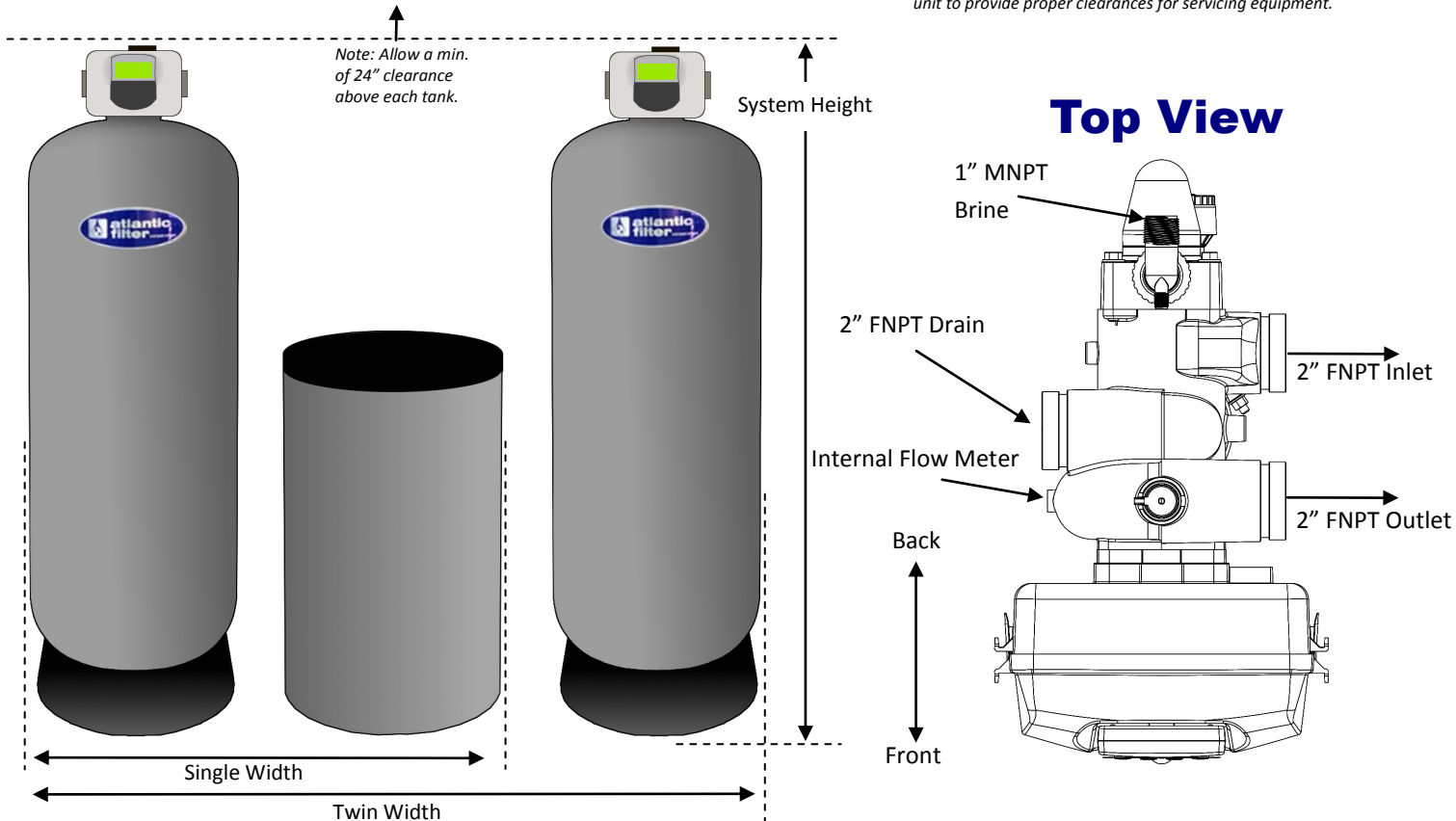
## Benefits

- Better water heating efficiency
- Reduced detergent use, soap use, and cleaning expenses
- Reduces wear & tear on all water using appliances & processing equipment
- Greatly improves overall water quality for a multitude of applications

# Dimensions

MODEL #	SYSTEM	SINGLE	TWIN
	HIGHT	WIDTH	WIDTH
AFCV200H24	87 (in.)	72 (in.)	102 (in.)
AFCV200H30	91 (in.)	87 (in.)	123 (in.)
AFCV200H36	92 (in.)	93 (in.)	135 (in.)
AFCV200H42	101 (in.)	102 (in.)	150 (in.)
AFCV200H48	104 (in.)	116 (in.)	170 (in.)
AFCV200H63	110 (in.)	131 (in.)	200 (in.)

Note: All width dimensions include 6" spacing each side of each unit to provide proper clearances for servicing equipment.



# Specifications

Specify "TC" for time-clock or "MP" for meter-

MODEL	MINERAL TANK			BRINE TANK		CAPACITY / SALT DOSEAGE		FLOW RATE & PRESSURE DROP		
	TANK SIZE	RESIN Ft <sup>3</sup>	GRAVEL	TANK SIZE	SALT FILL	MAX (15 lbs. Per Ft <sup>3</sup> )	MIN (6 lbs. Per Ft <sup>3</sup> )	CONTIOUS FLOW @ 15 PSI DROP	PEAK FLOW @ 25 PSI DROP	BKW GPM
AFCV200H24	24"x72"	10	250 lbs.	30"x50"	1200 lbs.	300,000/150 lbs.	200,000/60 lbs.	75 GPM	97 GPM	15
AFCV200H30	30"x72"	15	350 lbs.	39"x48"	2000 lbs.	450,000/225 lbs.	300,000/90 lbs.	88 GPM	113 GPM	25
AFCV200H36	36"x72"	20	500 lbs.	39"x60"	2200 lbs.	600,000/300 lbs.	400,000/120 lbs.	97 GPM	125 GPM	32
AFCV200H42	42"x72"	25	700 lbs.	42"x60"	3000 lbs.	900,000/375 lbs.	600,000/150 lbs.	106 GPM	125 GPM	45
AFCV200H48	48"x72"	40	900 lbs.	50"x60"	4500 lbs.	1,200,000/600 lbs.	800,000/240 lbs.	105 GPM	125 GPM	57
AFCV200H63	63"x86"	65	1800 lbs.	50"x60"	4500 lbs.	1,950,000/975 lbs.	1,300,000/390 lbs.	112 GPM	125 GPM	98

ANOTHER QUALITY PRODUCT OF ATLANTIC FILTER CORP. - 3112 45<sup>TH</sup> ST WEST PALM BEACH, FL. 33407 - (561) 683-0100

[www.atlanticfilter.com](http://www.atlanticfilter.com)